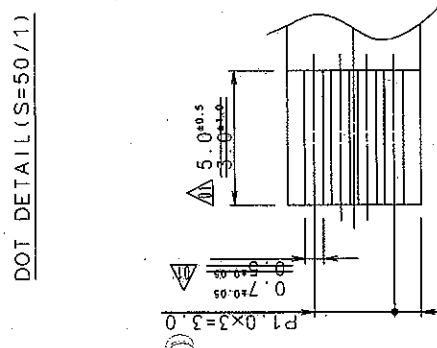
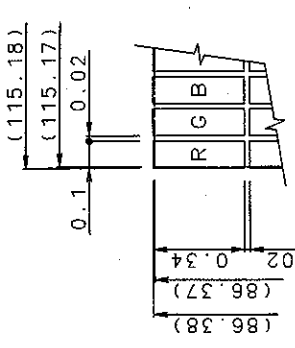
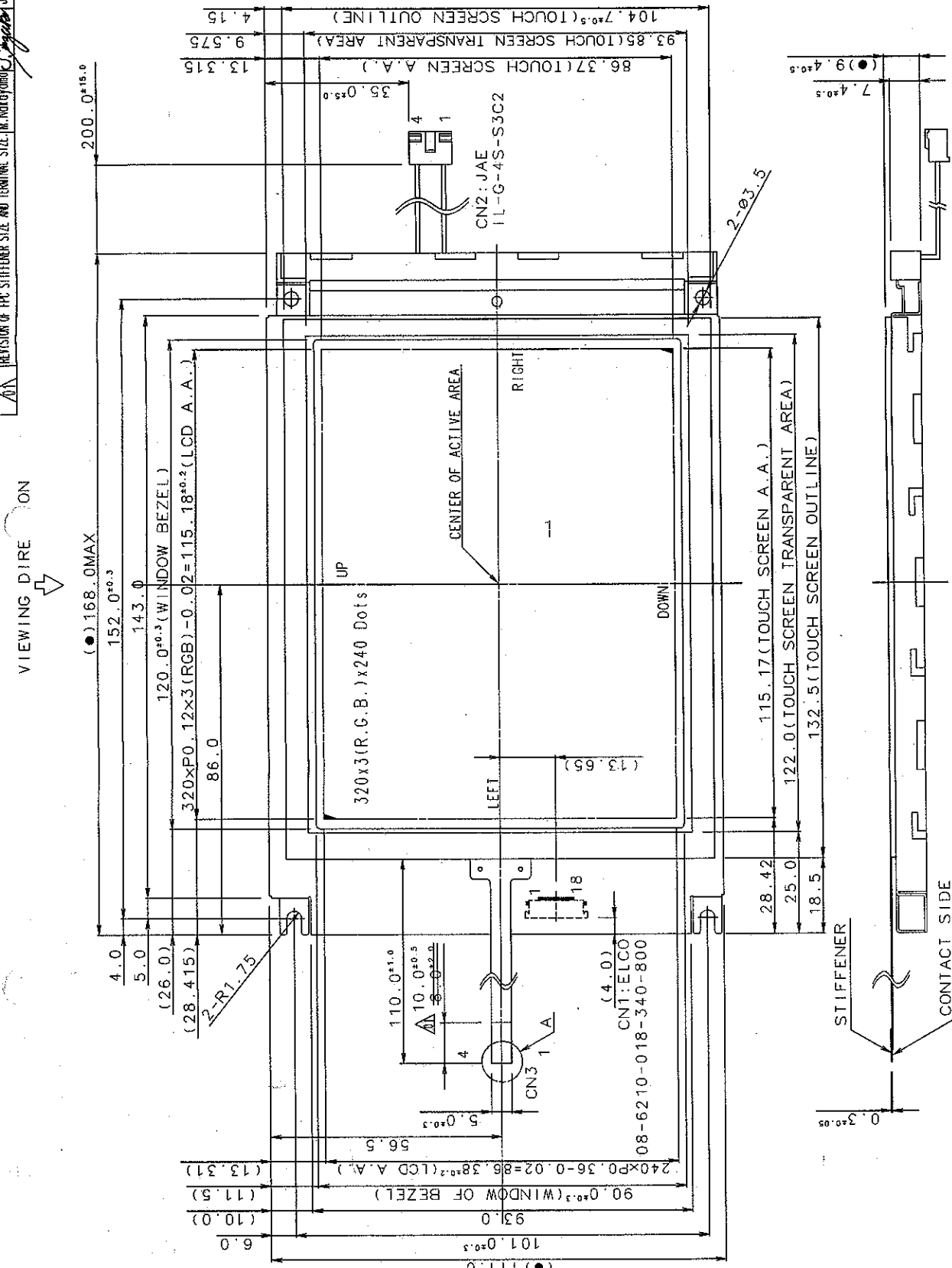


ISSUE	REVISIONS	DRAWN	APPROVED	DATE
A	REVISION OF PCB STIFFENER SIZE AND TERMINAL SIZE	M. Nagayama	[Signature]	JUL. 23 '04

VIEWING DIRECTION



PIN ASSIGNMENT

CN1	
NO.	SYMBOL
1	D0
2	D1
3	D2
4	D3
5	D4
6	D5
7	D6
8	D7
9	DISP OFF
10	FLM
11	LP
12	CP
13	M
14	VCC1
15	VSS
16	VSS
17	VCC2
18	V VADJ

CN2	
NO.	SYMBOL
1	VCFL
2	NC
3	NC
4	VSS

CN3	
NO.	SYMBOL
1	DOWN
2	LEFT
3	UP
4	RIGHT

NOTE:
THE DIMENSIONS WITH THE MARK (●) IS CONTROLLED AS A PARTICULAR CHARACTERISTIC.

MEASURE	TOLERANCE	THIRD ANGLE PROJECTION	DATE	DATE	OPTREX CORPORATION
A	B	C	MAY. 28 '04	MAY. 28 '04	TITLE
Ls16	±0.1	±0.3	UNIT	APPROVED	DIMENSIONAL OUTLINE
16<Ls63	±0.2	±0.5	MM	T. Okamoto	CODE
63<Ls250	±0.3	±0.8	SCALE	CHECKED	F-51900AA base
250<Ls500	±0.5	±1.2	1:1	T. Suzuki	FIG NO
500<L	±0.8	±2	±4	DRAWN	UE-312546-01
ANGLE	±1°	±5°	±10°	Y. Kimura	